

LR-Drive

Light Commercial Operator for Spring Balanced Roller Doors

GLD-RDO

LR-Drive heralds the latest addition to the Grifco Light Commercial portfolio. It has been specifically designed for large and wind-locked roller doors. It is also ideal for shopfront roller grilles thanks to commercial terminals that allow dedicated open and closing.

Key Features

- **Faster:** LR-Drive opens a 2.4m high door in only 21 seconds. Fastest in its class!
- **Stronger:** The powerful motor and gearbox can lift roller doors up to 28m²
- **Thinner:** The incredibly thin operator requires only 45mm of sideroom clearance
- **Smarter:** LR-Drive is myQ compatible and features dedicated inputs for open / close
- **Onboard, detachable Battery Backup** for reliable operation
- **Super thin 45mm** for tight fitting and low sideroom clearance

What's in the Kit?

LR-Drive operator, Battery Back Up, E138 Wireless Wall Control (x), E960G 4-Channel Keyring Ttransmitter (x2), mounting hardware.

Information for Roller Doors

LR-Drive is designed for spring-balanced vertically moving, single-piece roller doors, driven by a directly coupled roller door operator. All the operators have a recommended maximum roller door area and door height listed in the relevant specification table.

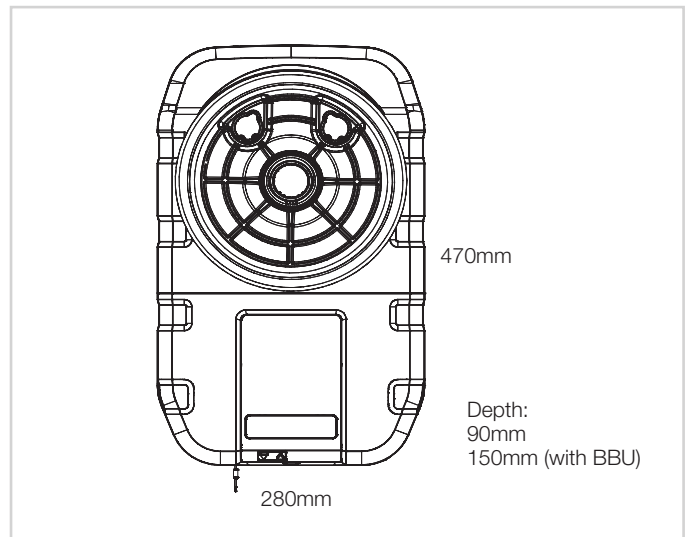
All recommended door sizes are based on the following:

- The door is vertically operated
- The door is correctly spring balanced
- When correctly balanced, the door has a maximum lifting weight of 20kg
- The door is in good mechanical condition and operates smoothly

Operators for Roller Doors / Operators for Roller Doors / LR-Drive



Product may differ slightly from image shown.



Product may differ slightly from image shown.

Model Details

Part No.	GLD-RDO
Description	Grifco LR-Drive RDO 24V 1300N BBU

Specifications

Power Supply	230-240 VAC 50Hz	Max Door Size	28m ²
Op. Voltage	24V DC	Max Door Weight	270kg
Duty Cycle	50 cycles / day	Max Door Height	5.5m
Door Speed	21 secs (2.4m high door)		

Chamberlain Australia Pty Ltd

Head Office - Unit 1, 75 Epping Rd North Ryde NSW 2113
 Manufacturing - 15 Dell Rd, West Gosford NSW 2250

Chamberlain New Zealand Ltd

17A Arrenway Dr, Rosedale 0632 Auckland NZ

AU: 1800 GRIFCO | www.grifco.com.au
NZ: 0800 653 667 | www.grifco.co.nz

Chamberlain Branches

Sydney - Unit 1, 75 Epping Rd North Ryde NSW 2113
 Melbourne - Unit 18, 85-91 Keilor Park Dr Tullamarine VIC 3043
 Brisbane - Unit 19, 140 Wecker Rd Mansfield QLD 4122
 Perth - 54 Milrose Dr Malaga WA 6090