

## U-Drive

Operator for Non Spring-Balanced Roller Shutters

## GUDK-RSO-H073M

U-Drive is an extremely powerful operator designed to chain-drive non spring-balanced roller shutters, growing in use within high-cycle applications such as carparks and warehouse docks. It is available in two variations, for very high-cycle shutters up to 18m<sup>2</sup> (typical carparks) and low-cycle shutters in industrial applications up to 34m<sup>2</sup>.

With an extremely robust gearbox and fan-cooled motor with solenoid brake, the operator is designed for heavy lifting and high-cycle counts.

The U-Drive range also includes an innovative mounting system for the door drum and operator. Offering many mounting options, it is ideal for tight applications.

### Key Features

- Extremely robust gear box and motor for durable operation
- Fan-cooled high cycle motor with solenoid brake
- Universal handing for left or right side mounting
- Multiple mounting configurations due to innovative mounting kit
- Supplied with all necessary components to mount the door and operator

### What's in the Kit?

U-Drive Operator, Wall Brackets, Operator Mounting Plate, Safety Brake & Angle, Flange Bearing, S1225 Sprocket (12B 25T), DC12B Drive Chain (12B) & Mounting Hardware.

### Information for Non Spring-Balanced Roller Shutters

All operators have a recommended maximum Roller Shutter area listed in the specification table. All recommended sizes are based on a "Standard Roller Shutter, defined as:

- The shutter has  $\leq 1.0\text{mm} \times \leq 100\text{mm}$  slats
- The shutter has no wind locks
- Diameter 168mm drum
- Chain reduction ratio as defined in the U-Drive manual

### Model Details

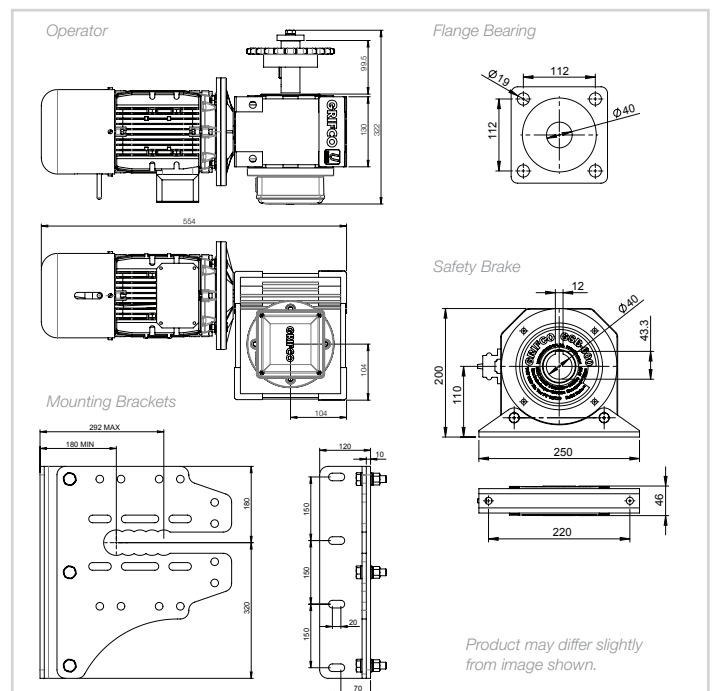
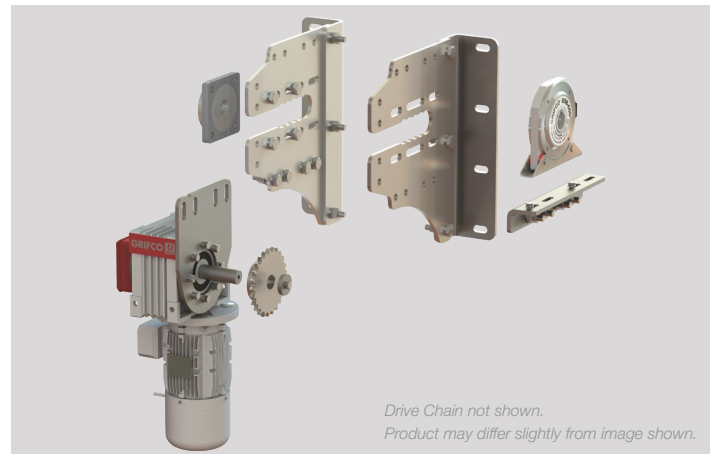
Part No.	GUDK-RSO-H073M
Description	U-Drive Kit RSO H/C 0.75hp 415V 3ph Mounting Kit

### Optional Controller Upgrade

Part No.	GLMe2L
Description	eDrive +2.0 Logic for Mechanical Operators

Controller upgrade separately available. Please refer to the relevant Specification Sheet for details.

Operators For Commercial Doors / Operators For Roller Shutters / U-Drive



### Specifications

kW	0.55kW	Phase	3ph
Amps	2.0A	Max Non-SB Door Size	34m <sup>2</sup>
Hp	0.75Hp	Duty Cycle	LC-10%
Voltage	415V		

### Chamberlain Australia Pty Ltd

Head Office - Unit 1, 75 Epping Rd North Ryde NSW 2113  
Manufacturing - 15 Dell Rd, West Gosford NSW 2250

### Chamberlain New Zealand Ltd

17A Arrenway Dr, Rosedale 0632 Auckland NZ

AU: 1800 GRIFCO | [www.grifco.com.au](http://www.grifco.com.au)  
NZ: 0800 653 667 | [www.grifco.co.nz](http://www.grifco.co.nz)

### Chamberlain Branches

Sydney - Unit 1, 75 Epping Rd North Ryde NSW 2113  
Melbourne - Unit 18, 85-91 Keilor Park Dr Tullamarine VIC 3043  
Brisbane - Unit 19, 140 Wecker Rd Mansfield QLD 4122  
Perth - 54 Milrose Dr Malaga WA 6090