

mDrive

A Proven Performer for Spring-Balanced Roller Shutters

MH103M8 (L/R)

Commercial Door Operators / Roller Shutter Operators / mDrive

mDrive is the proven workhorse. With mechanical limits and the ability to be operated by numerous Grifco wall control options, it can be tailored to the application. It is also available in various specialised models, such as with a solenoid brake, fan-cooled motor or explosion proof.

Key Features

- Powerful 1.0Hp motor with purpose designed gearbox for durable, reliable operation
- Automatic chain-engage mechanism for safe and easy manual operation in the absence of power
- Fan-cooled motor for higher duty cycle
- Choice of controls from Reversing Starters to the eDrive +2.0 Logic System for Mechanical Operators (GLMe2 portfolio)
- Rated for high duty cycle (30% run time)

What's in the Box?

mDrive Operator Only. All wall controls and mounting hardware available separately

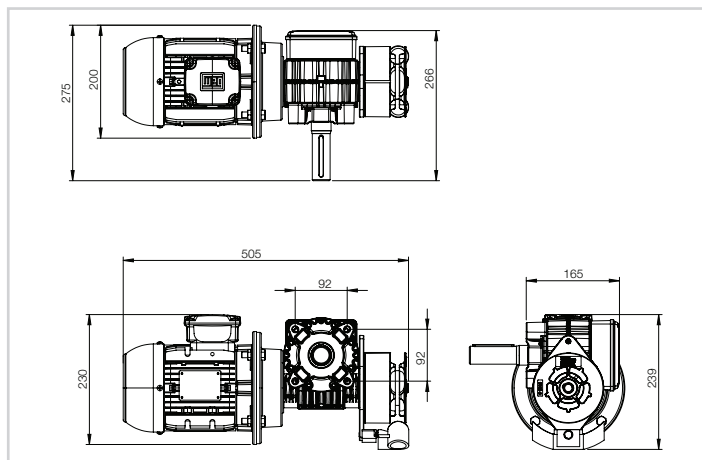
Information for Roller Shutters

All operators have a recommended maximum Roller Shutter area listed in the specification table. All recommended sizes are based on a "Standard Roller Shutter" (refer below):

- The Shutter is correctly spring balanced
- The Shutter has max 1.0mm x min 100mm slats, with a Diameter 150mm drum for shutters max 36m², or Diameter 200mm drum for shutters 36 - 50m²
- The Shutter has no wind-locks
- A sprocket ratio $\geq 4:1$ is used



Product may differ slightly from image shown.



Product may differ slightly from image shown.

Model Details

Part No.	MH103M8 (L/R)
Description	mDrive RSO H/C 1.0Hp 415V 3PH IP44 D80

(L/R) indicates which side of the door opening the motor is mounted to (when viewed from inside the building). For example a model with an "L" suffix is mounted to the top left of the door opening.

Optional Controller Upgrade

Part No.	RG374-LB3E007
Description	Reversing Starter for basic Up / Stop / Down Control

Controller upgrade separately available. Please refer to the relevant Specification Sheet for details.

Specifications

kW	0.75kW	Phase	3ph	No Neutral (N)	N/A
Amps	1.95A	Max SB Door Size	36m ²	Pre-Wired (P)	N/A
Hp	1.0Hp	IP Rating	IP50	IP55 (W)	N/A
Voltage	415V	Duty Cycle	HC	Clutch (C)	N/A

LC = Low cycle (10% run time / hour).

HC = High cycle (30% run time / hour).

When specifying an upgraded model, please use the appropriate abbreviation before the "L" or "R" handing.

For example MH103M8WR.

Upgrades:

O = Optional

S = Supplied as standard

N/A = Not applicable

Chamberlain Australia Pty Ltd

Head Office - Unit 1, 75 Epping Rd North Ryde NSW 2113
Manufacturing - 15 Dell Rd, West Gosford NSW 2250

Chamberlain New Zealand Ltd

17A Arrenway Dr, Rosedale 0632 Auckland NZ

AU: 1800 GRIFCO | www.grifco.com.au
NZ: 0800 653 667 | www.grifco.co.nz

Chamberlain Branches

Sydney - Unit 1, 75 Epping Rd North Ryde NSW 2113
Melbourne - Unit 18, 85-91 Keilor Park Dr Tullamarine VIC 3043
Brisbane - Unit 19, 140 Wecker Rd Mansfield QLD 4122
Perth - 54 Milrose Dr Malaga WA 6090