

## EHD Operator

Extra Heavy Duty Operators for Very Large and Non-Spring Balanced Roller Shutters

## 91500 (L/R)

Commercial Door Operators / Roller Shutter Operators / EHD Operator

The EHD portfolio is design for huge spring-balanced (up to 150m<sup>2</sup>) or non-spring balanced roller shutters (up to 120m<sup>2</sup>). They are the largest drive train in the Grifco portfolio and are designed tough to withstand the most extreme of workloads.

### Key Features

- Powerful 5.0Hp motor with purpose designed gearbox for durable, reliable operation
- Ideal for extremely large spring-balanced roller shutters up to 150m<sup>2</sup>
- Also rated for Non-Spring Balanced Roller Shutters up to 120m<sup>2</sup>
- Choice of controls from Reversing Starters to the eDrive +2.0 Logic System for Mechanical Operators (GLMe2 portfolio)
- Rated for high duty cycle (30% run time)

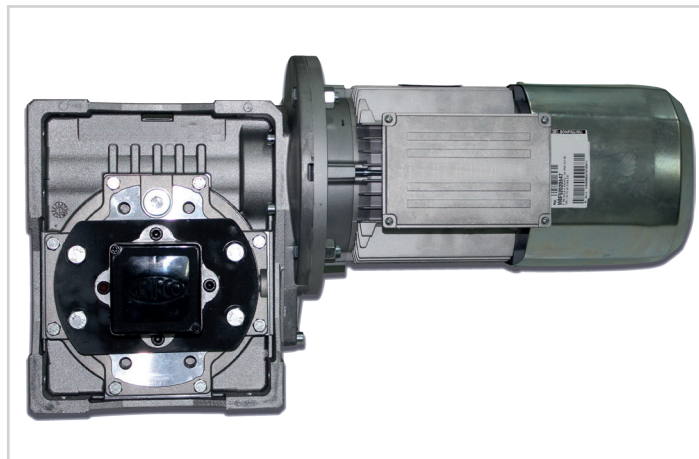
### What's in the Box?

EHD Operator Only. All wall controls and mounting hardware available separately

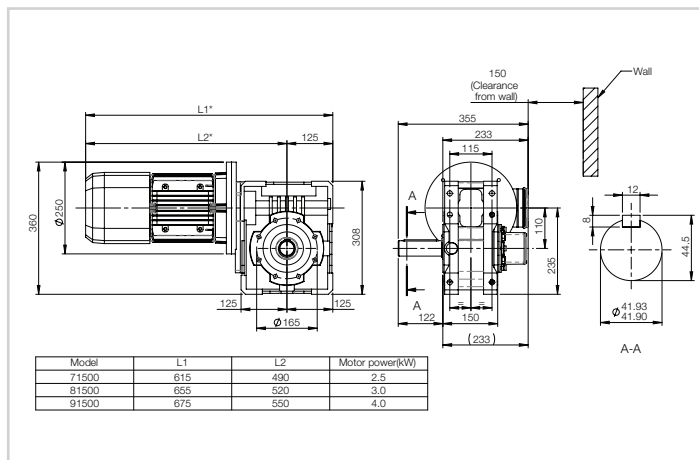
### Information for Roller Shutters

All operators have a recommended maximum Roller Shutter area listed in the specification table. All recommended sizes are based on a "Standard Roller Shutter" (refer below):

- The Shutter is correctly spring balanced
- The Shutter has max 1.0mm x min 100mm slats, with a Diameter 150mm drum for shutters max 36m<sup>2</sup>, or Diameter 200mm drum for shutters 36 - 50m<sup>2</sup>
- The Shutter has no wind-locks
- A sprocket ratio ≥ 4:1 is used



Product may differ slightly from image shown.



Product may differ slightly from image shown.

### Model Details

Part No.	91500 (L/R)
Description	EHD RSO H/C 5.0Hp 415V 3PH IP50

(L/R) indicates which side of the door opening the motor is mounted to (when viewed from inside the building). For example a model with an "L" suffix is mounted to the top left of the door opening.

### Optional Controller Upgrade

Part No.	RG374-LB3E012
Description	Reversing Starter for basic Up / Stop / Down Control

Controller upgrade separately available. Please refer to the relevant Specification Sheet for details.

### Specifications

kW	4.00kW	Phase	3ph	No Neutral (N)	N/A
Amps	7.75A	Max SB Door Size	150m <sup>2</sup>	Pre-Wired (P)	N/A
Hp	5.0Hp	IP Rating	IP50	IP55 (W)	N/A
Voltage	415V	Duty Cycle	HC	Clutch (C)	N/A

LC = Low cycle (10% run time / hour).

HC = High cycle (30% run time / hour).

When specifying an upgraded model, please use the appropriate abbreviation before the "L" or "R" handing. For example 91500WR.

Upgrades:

O = Optional

S = Supplied as standard

N/A = Not applicable

### Chamberlain Australia Pty Ltd

Head Office - Unit 1, 75 Epping Rd North Ryde NSW 2113  
Manufacturing - 15 Dell Rd, West Gosford NSW 2250

### Chamberlain New Zealand Ltd

17A Arrenway Dr, Rosedale 0632 Auckland NZ

AU: 1800 GRIFCO | www.grifco.com.au  
NZ: 0800 653 667 | www.grifco.co.nz

### Chamberlain Branches

Sydney - Unit 1, 75 Epping Rd North Ryde NSW 2113  
Melbourne - Unit 18, 85-91 Keilor Park Dr Tullamarine VIC 3043  
Brisbane - Unit 19, 140 Wecker Rd Mansfield QLD 4122  
Perth - 54 Milrose Dr Malaga WA 6090