

EHD Operator

Extra Heavy Duty Operators for Very Large and Non-Spring Balanced Roller Shutters

81500 (L/R)

Commercial Door Operators / Roller Shutter Operators / EHD Operator

The EHD portfolio is design for huge spring-balanced (up to 150m²) or non-spring balanced roller shutters (up to 120m²). They are the largest drive train in the Grifco portfolio and are designed tough to withstand the most extreme of workloads.

Key Features

- Powerful 4.0Hp motor with purpose designed gearbox for durable, reliable operation
- Ideal for extremely large spring-balanced roller shutters up to 120m²
- Also rated for Non-Spring Balanced Roller Shutters up to 100m²
- Choice of controls from Reversing Starters to the eDrive +2.0 Logic System for Mechanical Operators (GLMe2 portfolio)
- Rated for high duty cycle (30% run time)

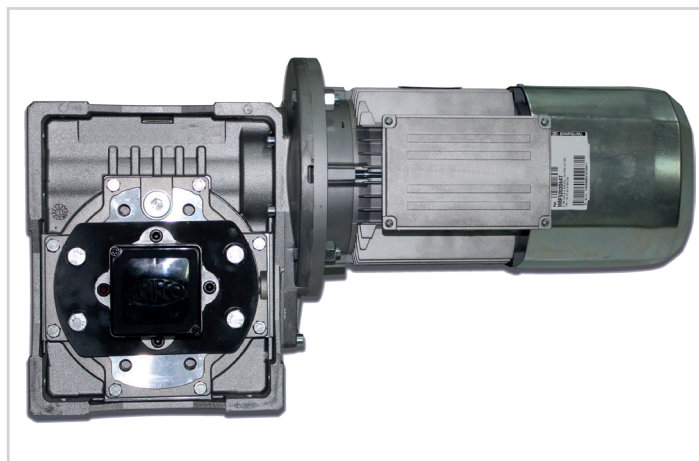
What's in the Box?

EHD Operator Only. All wall controls and mounting hardware available separately

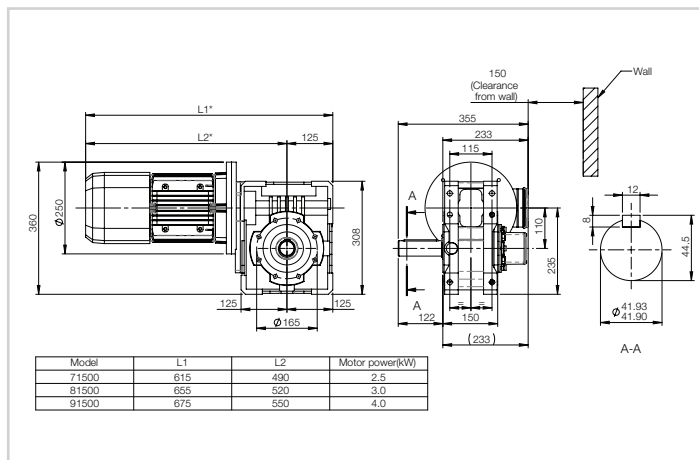
Information for Roller Shutters

All operators have a recommended maximum Roller Shutter area listed in the specification table. All recommended sizes are based on a "Standard Roller Shutter" (refer below):

- The Shutter is correctly spring balanced
- The Shutter has max 1.0mm x min 100mm slats, with a Diameter 150mm drum for shutters max 36m², or Diameter 200mm drum for shutters 36 - 50m²
- The Shutter has no wind-locks
- A sprocket ratio ≥ 4:1 is used



Product may differ slightly from image shown.



Product may differ slightly from image shown.

Model Details

Part No.	81500 (L/R)
Description	EHD RSO H/C 4.0Hp 415V 3PH IP50

(L/R) indicates which side of the door opening the motor is mounted to (when viewed from inside the building). For example a model with an "L" suffix is mounted to the top left of the door opening.

Optional Controller Upgrade

Part No.	RG374-LB3E010
Description	Reversing Starter for basic Up / Stop / Down Control

Controller upgrade separately available. Please refer to the relevant Specification Sheet for details.

Specifications

kW	3.00kW	Phase	3ph	No Neutral (N)	N/A
Amps	5.88A	Max SB Door Size	120m ²	Pre-Wired (P)	N/A
Hp	4.0Hp	IP Rating	IP50	IP55 (W)	N/A
Voltage	415V	Duty Cycle	HC	Clutch (C)	N/A

LC = Low cycle (10% run time / hour).

HC = High cycle (30% run time / hour).

When specifying an upgraded model, please use the appropriate abbreviation before the "L" or "R" handing. For example 81500WR.

Upgrades:

O = Optional

S = Supplied as standard

N/A = Not applicable

Chamberlain Australia Pty Ltd

Head Office - Unit 1, 75 Epping Rd North Ryde NSW 2113
Manufacturing - 15 Dell Rd, West Gosford NSW 2250

Chamberlain New Zealand Ltd

17A Arrenway Dr, Rosedale 0632 Auckland NZ

AU: 1800 GRIFCO | www.grifco.com.au
NZ: 0800 653 667 | www.grifco.co.nz

Chamberlain Branches

Sydney - Unit 1, 75 Epping Rd North Ryde NSW 2113
Melbourne - Unit 18, 85-91 Keilor Park Dr Tullamarine VIC 3043
Brisbane - Unit 19, 140 Wecker Rd Mansfield QLD 4122
Perth - 54 Milrose Dr Malaga WA 6090