

Extra Heavy Duty Manual Hoist

Hoist for Light Commercial Roller Doors and Shutters

EHDHWO

Grifco manual hoists are cost effective, durable and reliable opening system for light commercial roller doors and shutters. They ensure smooth, easy hoisting with quiet operation.

Key Features

- Durable construction for long lasting performance
- Suitable for doors up to 25m² in size
- Australian made

What's in the Box?

Manual hoist only. All mounting hardware and hauling chain available separately.

Information for Roller Doors

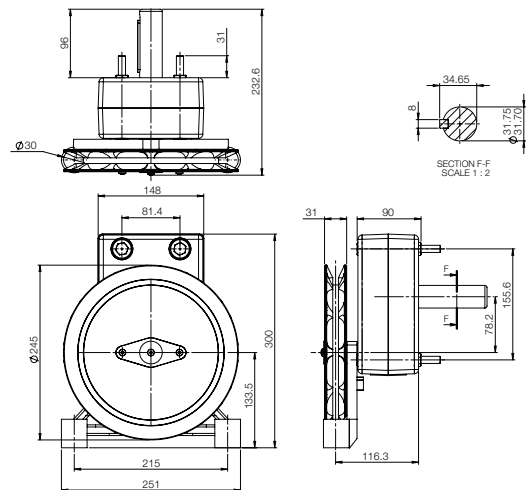
All hoists have a recommended maximum Roller Door area listed in the specification table. All recommended sizes are based on a "Standard Roller Door" (refer below):

- The Door is correctly spring balanced
- The Door is a single piece roller door
- The Door has no wind-locks
- A sprocket ratio $\geq 4:1$ is used

Commercial Door Operators / Light Commercial Roller Door Operators / Manual Hoists



Product may differ slightly from image shown.



Product may differ slightly from image shown.

Model Details

Part No.	EHDHWO
Description	Extra Heavy Duty Manual Hoist

Optional Accessories

Part No.	HC5MM8	Part No.	MP005
Description	Hauling Chain 5mm / 8m	Description	Mounting plate

Accessories separately available.

Specifications

Hauling Chain (not supplied)	5mm long link
Output Shaft Diam.	31.75Mm (1 1/4")
Gear Reduction	4:1
Weight	8kg

Chamberlain Australia Pty Ltd

Head Office - Unit 1, 75 Epping Rd North Ryde NSW 2113
Manufacturing - 15 Dell Rd, West Gosford NSW 2250

Chamberlain New Zealand Ltd

17A Arrenway Dr, Rosedale 0632 Auckland NZ

AU: 1800 GRIFCO | www.grifco.com.au
NZ: 0800 653 667 | www.grifco.co.nz

Chamberlain Branches

Sydney - Unit 1, 75 Epping Rd North Ryde NSW 2113
Melbourne - Unit 18, 85-91 Keilor Park Dr Tullamarine VIC 3043
Brisbane - Unit 19, 140 Wecker Rd Mansfield QLD 4122
Perth - 54 Milrose Dr Malaga WA 6090