

Fire Shutter Operator

Operators for Fire-Rated Spring-Balanced Roller Shutters

58015FF (L/R)

Grifco's unique portfolio of Fire Shutter Operators are designed and tested to perform on spring-balanced fire-rated roller shutters. The innovative controlled-descent mechanism ensures a safe and reliable descent in the event of an emergency.

Key Features

- Mechanical controlled-descent mechanism with fusible link
- Powerful 1.0Hp motor with purpose designed gearbox for durable, reliable operation
- Automatic chain-engage mechanism for safe and easy manual operation in the absence of power
- Choice of controls from Reversing Starters to the eDrive +2.0 Logic System for Mechanical Operators (GLMe2 portfolio)
- Rated for high duty cycle (30% run time)

What's in the Box?

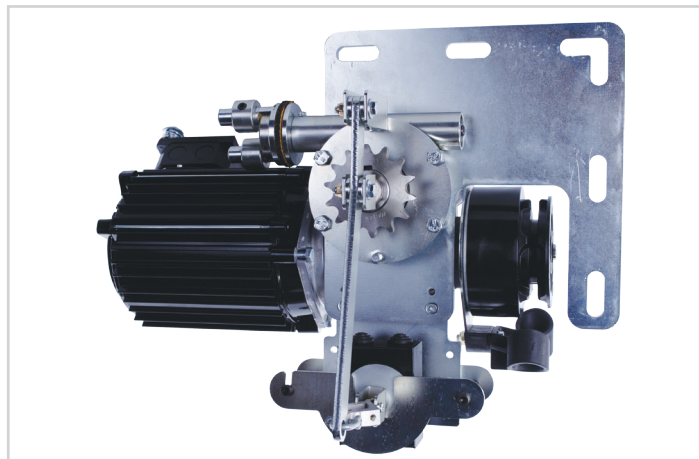
Fire Shutter Operator with Flag Mounting Bracket Only. All wall controls available separately

Information for Roller Shutters

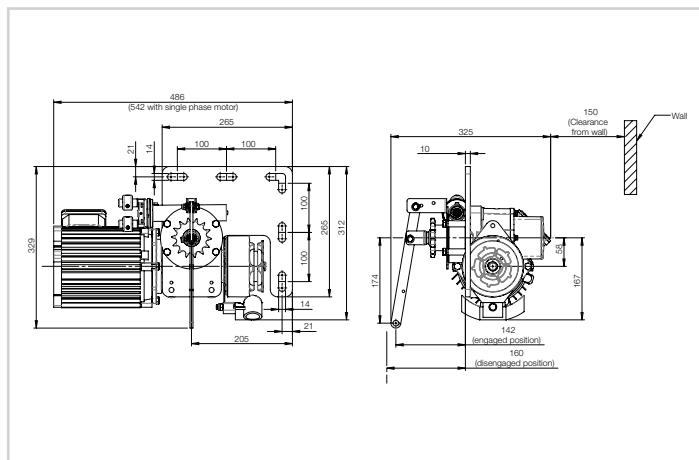
All operators have a recommended maximum Roller Shutter area listed in the specification table. All recommended sizes are based on a "Standard Roller Shutter" (refer below):

- The Shutter is correctly spring balanced
- The Shutter has max 1.0mm x min 100mm slats, with a Diameter 150mm drum for shutters max 36m², or Diameter 200mm drum for shutters 36 - 50m²
- The Shutter has no wind-locks
- A sprocket ratio $\geq 4:1$ is used

Commercial Door Operators / Fire Shutter Operators / Fire Shutter Operator



Product may differ slightly from image shown.



Product may differ slightly from image shown.

Model Details

| | |
|-------------|--------------------------------|
| Part No. | 58015FF (L/R) |
| Description | FSO H/C 1.0Hp 415V 3PH IP44 FL |

(L/R) indicates which side of the door opening the motor is mounted to (when viewed from inside the building). For example a model with an "L" suffix is mounted to the top left of the door opening.

Optional Controller Upgrade

| | |
|-------------|---|
| Part No. | GLMe2 |
| Description | eDrive +2.0 Logic Upgrade with Key Switch |

Controller upgrade separately available. Please refer to the relevant Specification Sheet for details.

Specifications

| | | | | | |
|---------|--------|------------------|------------------|----------------|-----|
| kW | 0.75kW | Phase | 3ph | No Neutral (N) | N/A |
| Amps | 1.95A | Max SB Door Size | 28m ² | Pre-Wired (P) | N/A |
| Hp | 1.0Hp | IP Rating | IP44 | IP55 (W) | N/A |
| Voltage | 415V | Duty Cycle | HC | Clutch (C) | N/A |

LC = Low cycle (10% run time / hour).

HC = High cycle (30% run time / hour).

When specifying an upgraded model, please use the appropriate abbreviation before the "L" or "R" handing. For example 58015FFWR.

Upgrades

Upgrades:
O = Optional
S = Supplied as standard
N/A = Not applicable

Chamberlain Australia Pty Ltd

Head Office - Unit 1, 75 Epping Rd North Ryde NSW 2113
 Manufacturing - 15 Dell Rd, West Gosford NSW 2250

Chamberlain New Zealand Ltd

17A Arrenway Dr, Rosedale 0632 Auckland NZ

AU: 1800 GRIFCO | www.grifco.com.au
 NZ: 0800 653 667 | www.grifco.co.nz

Chamberlain Branches

Sydney - Unit 1, 75 Epping Rd North Ryde NSW 2113
 Melbourne - Unit 18, 85-91 Keilor Park Dr Tullamarine VIC 3043
 Brisbane - Unit 19, 140 Wecker Rd Mansfield QLD 4122
 Perth - 54 Milrose Dr Malaga WA 6090