

## Fire Shutter Operator

Operators for Fire-Rated Spring-Balanced Roller Shutters

## 58017FFH (L/R)

Commercial Door Operators / Fire Shutter Operators / Fire Shutter Operator

Grifco's unique portfolio of Fire Shutter Operators are designed and tested to perform on spring-balanced fire-rated roller shutters. The innovative controlled-descent mechanism ensures a safe and reliable descent in the event of an emergency.

### Key Features

- Mechanical controlled-descent mechanism with fusible link and holding magnet
- Powerful 1.5Hp motor with purpose designed gearbox for durable, reliable operation
- Automatic chain-engage mechanism for safe and easy manual operation in the absence of power
- Choice of controls from Reversing Starters to the eDrive +2.0 Logic System for Mechanical Operators (GLMe2 portfolio)
- Full range of peripherals and accessories available

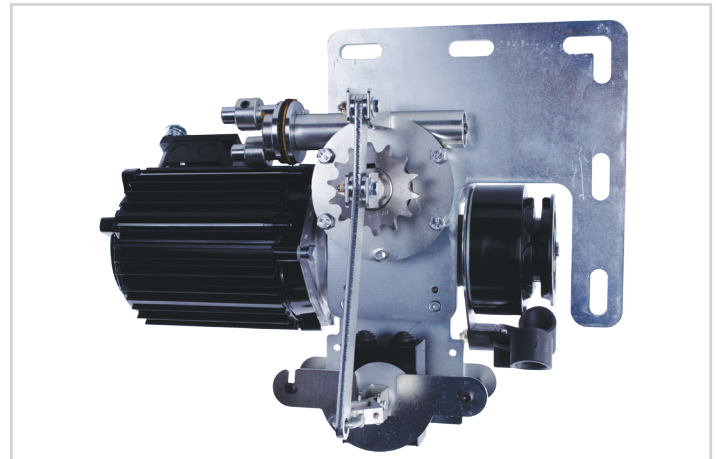
### What's in the Box?

Fire Shutter Operator with Flag Mounting Bracket Only. All wall controls available separately

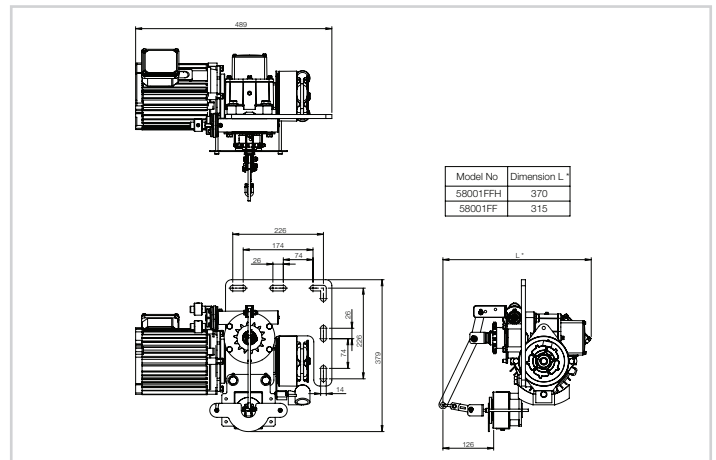
### Information for Roller Shutters

All operators have a recommended maximum Roller Shutter area listed in the specification table. All recommended sizes are based on a "Standard Roller Shutter" (refer below):

- The Shutter is correctly spring balanced
- The Shutter has max 1.0mm x min 100mm slats, with a Diameter 150mm drum for shutters max 36m<sup>2</sup>, or Diameter 200mm drum for shutters 36 - 50m<sup>2</sup>
- The Shutter has no wind-locks
- A sprocket ratio  $\geq 4:1$  is used



Product may differ slightly from image shown.



Product may differ slightly from image shown.

### Model Details

Part No.	58017FFH (L/R)
Description	FSO L/C 1.5Hp 415V 3PH IP44 FL HM

(L/R) indicates which side of the door opening the motor is mounted to (when viewed from inside the building). For example a model with an "L" suffix is mounted to the top left of the door opening.

### Optional Controller Upgrade

Part No.	GLMe2
Description	eDrive +2.0 Logic Upgrade with Key Switch

Controller upgrade separately available. Please refer to the relevant Specification Sheet for details.

### Specifications

kW	1.10kW	Phase	3ph	No Neutral (N)	N/A
Amps	2.55A	Max SB Door Size	36m <sup>2</sup>	Pre-Wired (P)	N/A
Hp	1.5Hp	IP Rating	IP44	IP55 (W)	N/A
Voltage	415V	Duty Cycle	LC	Clutch (C)	N/A

LC = Low cycle (10% run time / hour).

HC = High cycle (30% run time / hour).

When specifying an upgraded model, please use the appropriate abbreviation before the "L" or "R" handing.

For example 58017FFHWR.

Upgrades:

O = Optional

S = Supplied as standard

N/A = Not applicable

### Chamberlain Australia Pty Ltd

Head Office - Unit 1, 75 Epping Rd North Ryde NSW 2113  
Manufacturing - 15 Dell Rd, West Gosford NSW 2250

### Chamberlain New Zealand Ltd

17A Arrenway Dr, Rosedale 0632 Auckland NZ

AU: 1800 GRIFCO | [www.grifco.com.au](http://www.grifco.com.au)  
NZ: 0800 653 667 | [www.grifco.co.nz](http://www.grifco.co.nz)

### Chamberlain Branches

Sydney - Unit 1, 75 Epping Rd North Ryde NSW 2113  
Melbourne - Unit 18, 85-91 Keilor Park Dr Tullamarine VIC 3043  
Brisbane - Unit 19, 140 Wecker Rd Mansfield QLD 4122  
Perth - 54 Milrose Dr Malaga WA 6090