

## Fire Shutter Manual Hoist

Hoist for Fire Rated Roller Shutters

## HDHWFFH (L/R)

Grifco fire shutter manual hoists are cost effective, durable and reliable opening system. The auto-descent mechanism ensures a safe, controlled descent of the door in the event of an emergency. It is fitted with a fusible link (fuses at 71°C) and a holding magnet.

### Key Features

- Controlled auto-descent mechanism
- Holding magnet
- Fusible link (fuses at 71°C)
- Durable construction for long lasting performance
- Suitable for doors up to 16m<sup>2</sup> in size
- Australian made

### What's in the Box?

Fire shutter manual hoist only. All mounting hardware and hauling chain available separately.

### Information for Roller Shutters

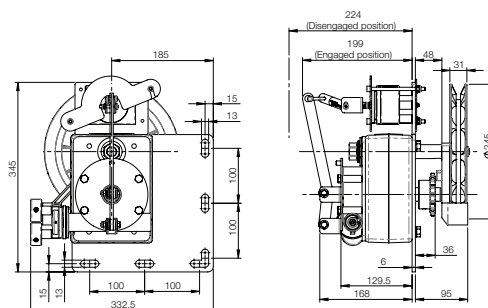
All hoists have a recommended maximum Roller Door area listed in the specification table. All recommended sizes are based on a "Standard Roller Door" (refer below):

- The Shutter has max 1.0mm x min 100mm slats, with a Diameter 150mm drum for shutters max 36m<sup>2</sup>
- The Shutter is correctly spring balanced
- The Shutter is a single piece roller door
- The Shutter has no wind-locks
- A sprocket ratio  $\geq 4:1$  is used

Commercial Door Operators / Fire Shutter Operators / Fire Shutter Manual Hoists



Product may differ slightly from image shown.



Product may differ slightly from image shown.

### Model Details

<b>Part No.</b>	HDHWFFH (L/R)
<b>Description</b>	Auto-descent Fire Shutter Hoist with Fusible Link and Holding Magnet

### Optional Accessories

<b>Part No.</b>	HC5MM8	<b>Part No.</b>	MP005
<b>Description</b>	Hauling Chain 5mm / 8m	<b>Description</b>	Mounting plate

Accessories separately available.

### Specifications

<b>Hauling Chain (not supplied)</b>	5mm long link
<b>Output Shaft Diam.</b>	31.75Mm (1 1/4")
<b>Gear Reduction</b>	4:1
<b>Weight</b>	8kg

### Chamberlain Australia Pty Ltd

Head Office - Unit 1, 75 Epping Rd North Ryde NSW 2113  
Manufacturing - 15 Dell Rd, West Gosford NSW 2250

### Chamberlain New Zealand Ltd

17A Arrenway Dr, Rosedale 0632 Auckland NZ

AU: 1800 GRIFCO | [www.grifco.com.au](http://www.grifco.com.au)  
NZ: 0800 653 667 | [www.grifco.co.nz](http://www.grifco.co.nz)

### Chamberlain Branches

Sydney - Unit 1, 75 Epping Rd North Ryde NSW 2113  
Melbourne - Unit 18, 85-91 Keilor Park Dr Tullamarine VIC 3043  
Brisbane - Unit 19, 140 Wecker Rd Mansfield QLD 4122  
Perth - 54 Milrose Dr Malaga WA 6090