



Logic Controls for Operators with Mechanical Limits

Provides full eDrive +2.0 logic to mDrive, U-Drive, Fire Shutter & HD Operators as well as 3rd party operators with mechanical limits.

GLMe2 Series

The GLMe2 series of wall controls provides full eDrive +2.0 logic to any operator with mechanical limits. It is the ideal addition to Grifco operators such as mDrive, U-Drive, Fire Shutter Operators & HD Operators.

Logic control enables the use of logic features such as remote transmitters, 'latch' close or auto-close - as well as the ability to expand logic via the Grifco Expansion Board (EB1).

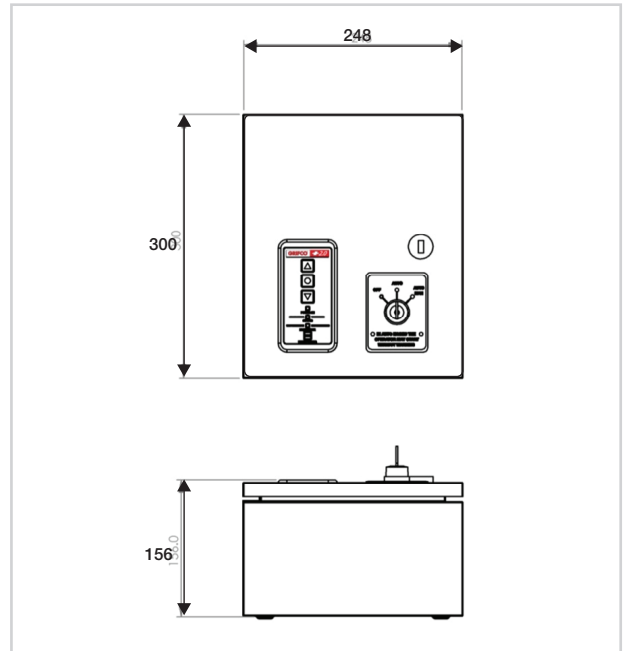
Key Features

- 1 piece wall control with logic MCB and wall control built into fascia
- Integrated key switch, ideal for car park applications
- Extremely durable steel lockable enclosure
- Space on enclosure lid for installer's business details
- Expansion board fits internally, without need for higher lid

Accessories for Commercial Door Operators / Logic for Mechanical Limit Operators



Product may differ slightly from image shown.



Product may differ slightly from image shown.

Part No. Suits Operators

Mechanical Logic Kits | Steel Enclosure | Lockable Enclosure | Integrated Key Switch

GLMe2	mDrive / Fire Shutter Operators
GLMe2N	mDrive / Fire Shutter Operators (No Neutral)

Chamberlain Australia Pty Ltd

Head Office - Unit 1, 75 Epping Rd North Ryde NSW 2113
Manufacturing - 15 Dell Rd, West Gosford NSW 2250

Chamberlain New Zealand Ltd

17A Arrenway Dr, Rosedale 0632 Auckland NZ

AU: 1800 GRIFCO | www.grifco.com.au
NZ: 0800 653 667 | www.grifco.co.nz

Chamberlain Branches

Sydney - Unit 1, 75 Epping Rd North Ryde NSW 2113
Melbourne - Unit 18, 85-91 Keilor Park Dr Tullamarine VIC 3043
Brisbane - Unit 19, 140 Wecker Rd Mansfield QLD 4122
Perth - 54 Milrose Dr Malaga WA 6090