

Fire Shutter Manual Hoist

Hoist for Fire Rated Roller Shutters

HDHWFF (L/R)

Grifco fire shutter manual hoists are cost effective, durable and reliable opening system. The auto-descent mechanism ensures a safe, controlled descent of the door in the event of an emergency. It is fitted with a fusible link (fuses at 71°C).

Key Features

- Controlled auto-descent mechanism
- Fusible link (fuses at 71°C)
- Durable construction for long lasting performance
- Suitable for doors up to 16m² in size
- Australian made

What's in the Box?

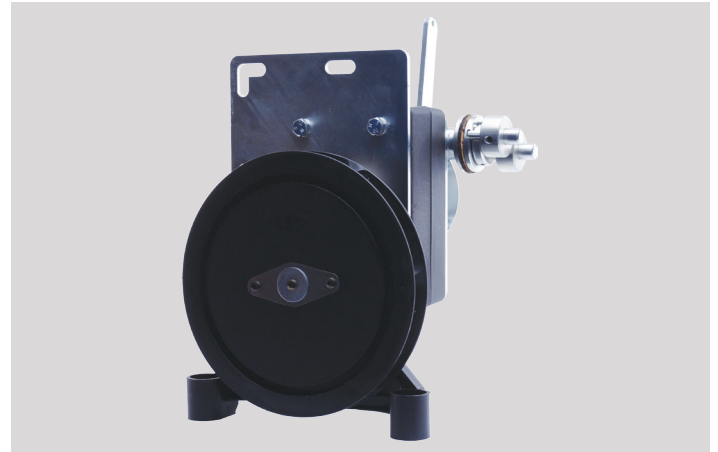
Fire shutter manual hoist only. All mounting hardware and hauling chain available separately.

Information for Roller Shutters

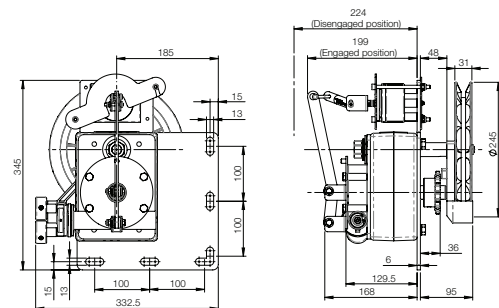
All hoists have a recommended maximum Roller Door area listed in the specification table. All recommended sizes are based on a "Standard Roller Door" (refer below):

- The Shutter has max 1.0mm x min 100mm slats, with a Diameter 150mm drum for shutters max 36m²
- The Shutter is correctly spring balanced
- The Shutter is a single piece roller door
- The Shutter has no wind-locks
- A sprocket ratio $\geq 4:1$ is used

Commercial Door Operators / Fire Shutter Operators / Fire Shutter Manual Hoists



Product may differ slightly from image shown.



Product may differ slightly from image shown.

Model Details

Part No.	HDHWFF (L/R)
Description	Auto-descent Fire Shutter Hoist with Fusible Link

Optional Accessories

Part No.	HC5MM8	Part No.	MP005
Description	Hauling Chain 5mm / 8m	Description	Mounting plate

Accessories separately available.

Specifications

Hauling Chain (not supplied)	5mm long link
Output Shaft Diam.	31.75Mm (1 1/4")
Gear Reduction	4:1
Weight	8kg

Chamberlain Australia Pty Ltd

Head Office - Unit 1, 75 Epping Rd North Ryde NSW 2113
Manufacturing - 15 Dell Rd, West Gosford NSW 2250

Chamberlain New Zealand Ltd

17A Arrenway Dr, Rosedale 0632 Auckland NZ

AU: 1800 GRIFCO | www.grifco.com.au
NZ: 0800 653 667 | www.grifco.co.nz

Chamberlain Branches

Sydney - Unit 1, 75 Epping Rd North Ryde NSW 2113
Melbourne - Unit 18, 85-91 Keilor Park Dr Tullamarine VIC 3043
Brisbane - Unit 19, 140 Wecker Rd Mansfield QLD 4122
Perth - 54 Milrose Dr Malaga WA 6090